

Parts Manual
45-8003
PL30-1010
04/21/2011

DOTCO[®]

10-10 Series
Inline Grinder

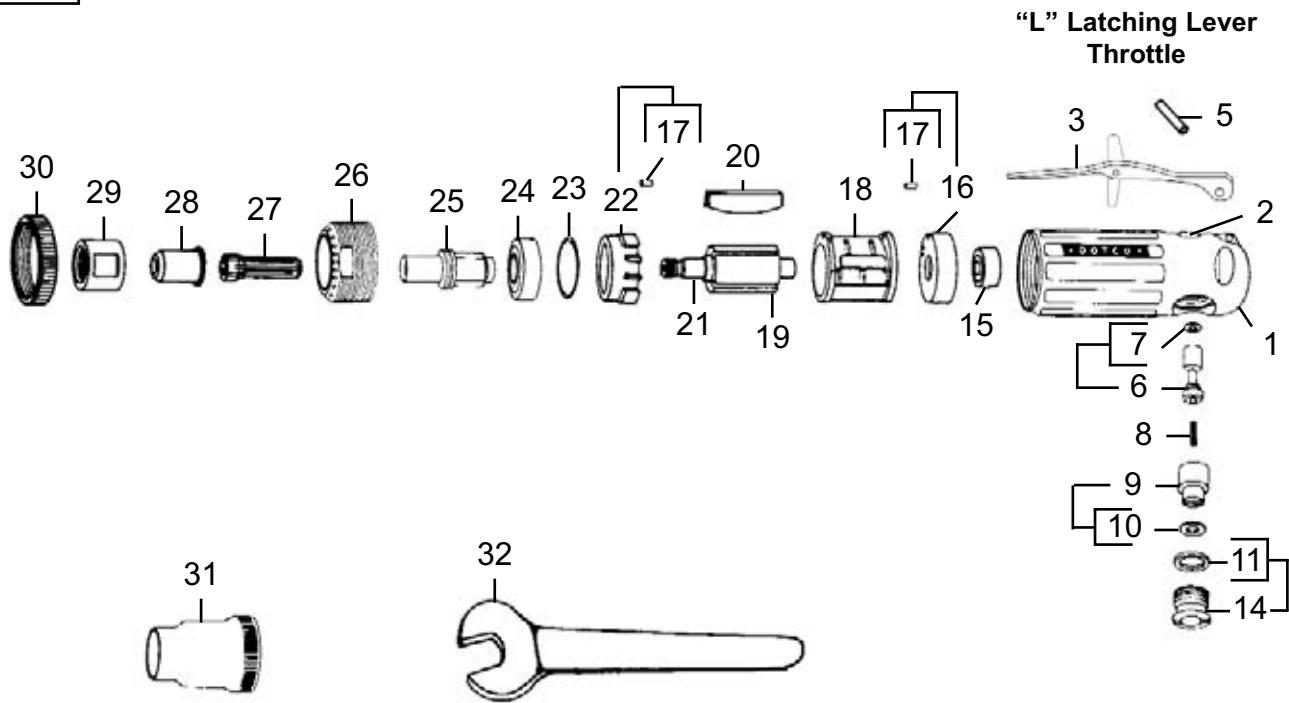


Model Number	Throttle Type	Speed	Length		Collet Size
		RPM	in.	mm	
10B1000-36	Button	30,000	4.6	117	1/4"
10B1001-36	Button	34,000	4.6	117	1/4"
10B1003-36	Button	25,000	4.6	117	1/4"
10K1000-36	Lock-Off Lever	30,000	4.6	117	1/4"
10K1001-36	Lock-Off Lever	34,000	4.6	117	1/4"
10K1003-36	Lock-Off Lever	25,000	4.6	117	1/4"
10L1000-36	Locking Lever	30,000	4.6	117	1/4"
10L1001-36	Locking Lever	34,000	4.6	117	1/4"
10L1003-36	Locking Lever	25,000	4.6	117	1/4"

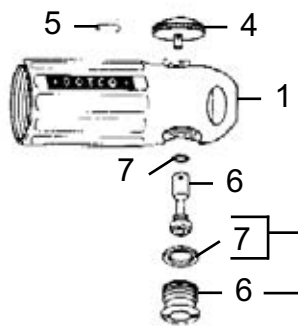
For additional product information visit our website at <http://www.apextoolgroup.com>

DOTCO 10-1000 Series Grinder

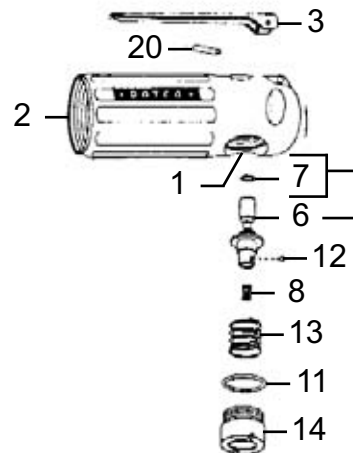
“A”



“B” Button Throttle



“K” Lock-Off Lever



DOTCO

10-1000 Series Grinder

PL30-1010
May 5, 2006

Illustration "A" - Motor Assembly

Ref.	Number	#	●	Kit	EN	DE	FR	ES	IT
					Description	Benennung	Description	Descripción	Descrizione
1	Table A	1			Motor Housing	Motorgehäuse	Cage de moteur	Caja del motor	Corpo motore
2	Table A	1		K1	** Valve Bushing	Lagerbuchse	Douille	Casquillo	Boccola
3	Table A	1		K1	Lever	Hebel	Levier	Palanca	Leva
4	1039	1		K1	Button	Drucktaste	Bouton	Botón	Pulsante
5	Table A	1		K1	Pin	Stift	Goupille cylindrique	Pasador	Spina
6	Table A	1		K1	Valve Stem	Ventilschaft	Tige de soupape	Vástago de válvula	Asta valvola
7	1052	1		K1	O-Ring	O-Ring	Joint torique	Anillo "O"	Anello ad O
8	Table A	1		K1	Valve Spring	Ventilfeder	Printemps de soupape	La Primavera de la válvula	Primavera di valvola
9	1011	1		K1	Speed Regulator	Regler	Régulateur	Regulador	Regolatore
10	1056	1		K1	O-Ring	O-Ring	Joint torique	Anillo "O"	Anello ad O
11	1057	1		K1	O-Ring	O-Ring	Joint torique	Anillo "O"	Anello ad O
12	4180	1		K1	Ball	Kugel	Bille	Bolas	Sfera
13	1642	1		K1	Spring	Druckfeder	Ressort	Resorte	Molla
14	Table A	1		K1	Plug Assembly	Buchse	Bouchon	Tapón	Spina
15	504	1		K2	Ball Bearing	Kugellager	Roulement à billes	Cojinete de bolas	Cuscinetto a sfera
16	1003	1			Bearing Plate	Tragplatte	Plaque de support	Placa de asiento	Piattello cuscinetto
17	1041	2		K2	Locating Pin	Stift	Goupille cylindrique	Pasador	Spina
18	1002	1			Cylinder	Zylinder	Cylindre	Cilindro	Cilindro
19	Table A1	1			Rotor	Rotor	Rotor	El rotor	Il rotore
20	Table A1*	--		K2	Rotor Blade *	Rotorblatt	Palette	Alabe del rotor	Paletta del rotore
21	1017	1		K2	Spacer	Distanzstück	Entretoise	Espaciador	Distanziale
22	Table A1	1			Bearing Plate	Tragplatte	Plaque de support	Placa de asiento	Piattello cuscinetto
23	1355	1		K2	Shim Packet	Unterlegstück	Cale pelable	Calzo	Spessore
24	538	1		K2	Ball Bearing	Kugellager	Roulement à billes	Cojinete de bolas	Cuscinetto a sfera
25	1054	1			Collet Chuck Body	Klammer	Serre-joint	La abrazadera	Il morsetto
26	Table A1	1			Lock Ring	Verschlussring	Bague de verrouillage	Anillo de cierre	Anello di bloccaggio
27	Table A2	1			Collet	Futter	Douille de serrage	Boquilla	Bussola di chiusura
28	1053	1		K3	Nosepiece	Kopfstück	Tuyère	Tobera	Naso
29	1058	1		K3	Collet Chuck Cap	Kappe	Chapeau	Tapa	Cappello
30	1272	1		K3	Guard (standard)	Schutzvorrichtung	Protection	Guarda	Protezione
31	1020	1			Guard (optional)	Schutzvorrichtung	Protection	Guarda	Protezione
32	14-0807	1			Wrench (7/16")	Schraubenschlüssel	Clé plate	La llave	La chiave
	14-0811	1			Wrench (11/16")	Schraubenschlüssel	Clé plate	La llave	La chiave
	---	1			Wrench (1/2")	Schraubenschlüssel	Clé plate	La llave	La chiave
	---	1			Wrench (5/8")	Schraubenschlüssel	Clé plate	La llave	La chiave
Repair Kits:									
K1	Table A	1			Throttle Kit	Satz	Ensemble	Juego	Corredo
K2	Table A1	1			Motor Kit	Satz	Ensemble	Juego	Corredo
K3	04-0045	1			Output Kit	Satz	Ensemble	Juego	Corredo
*	Table A1	1			Rotor Blade Kit	Satz	Ensemble	Juego	Corredo

(#) Quantity / Stückzahl / Quantité / Cantidad / Quantità

* Note: Rotor Blade Kits contain 50 pieces

** Note: If necessary to replace valve bushing, press bushing, beveled end first, into threaded end of crosshole of motor housing. The valve bushing base should be .562" plus .005" from counterbored shoulder of crosshole. Hone inside diameter of valve bushing to .2509" plus .0003" diameter.

DOTCO
10-1000 Series Grinder

Table "A"

Ref.	Description	Qty.	10B1000 10B1001 10B1003	Qty.	10K1000 10K1001 10K1003	Qty.	10L1000 10L1001 10L1003
1	Motor Housing	1	1051	1	1007	1	1007
2	Valve Bushing	1	1037	1	1007	1	1007
3	Lever		---	1	1019	1	01-1267
5	Pin	1	1055	1	1042	1	1042
6	Valve Stem	1	1038	1	1644	1	1008
8	Valve Spring		---	1	1641	1	2015
14	Plug Assembly	1	1012	1	1643	1	1012
K1	Throttle Kit	1	04-0041	1	04-0039	1	04-0040

Table "A1"

Ref.	Description	Qty.	10B1000 10K1000 10L1000	Qty.	10B1001 10K1001 10L1001	Qty.	10B1003 10K1003 10L1003
19	Rotor	1	1005	1	1214	1	1005
20	Rotor Blade	4	1006	3	1006	4	1906
22	Bearing Plate	1	1004	1	1323	1	1004
26	Lock Ring	1	1014	1	1014	1	1951
K2	Motor Kit	1	04-0042	1	04-0043	1	04-0044
*	Rotor Blade Kit	1	04-0031	1	04-0031	1	04-0032

* Note: Rotor Blade Kits contain 50 pieces

Table "A2" - Optional Collets

Part No.	Arbor Size	Part No.	Arbor Size	Part No.	Arbor Size
301	3/64"	305	5/32"	310	6mm
302	5/64"	306	3/16"	311	3mm
303	3/32"	307	7/32"		
304	1/8"	308 *	1/4"		

* Standard Collet