

Parts Manual
45-8043
09/18/2014

DOTCO[®]

10R90 Series
Light Duty Precision Turbine Grinder



⚠ CAUTION *Do Not Lubricate This Tool!*

Dotco®
Specifications

Model Number	Collet Size	Free Speed	Abrasive Capacity	Type Housing	Weight		Length		Air Inlet Size
		RPM			lbs	kg	in	mm	
10R9000-03	3mm	100,000	3/16" Carbide Burr 3/16" Diamond Pin	Aluminum	0.5	0.23	5.4	137	1/8"
10R9000-08	1/8"	100,000	3/16" Diamond Pin	Aluminum	0.5	0.23	5.4	137	1/8"

The original language of this manual is English.

Product Safety Information:

Intended Use:

This pneumatic grinder is to be used only for removing material by utilizing appropriate abrasive wheels, rotary files or other material removal cutting devices.

For additional product safety information refer to Apex Tool Group, LLC or Apex Tool Group GmbH & Co. OHG document GS-2007, General Safety Pneumatic Grinders.



The grinder must not be modified in any manner unless approved in writing by Apex Tool Group, LLC or Apex Tool Group GmbH & Co. OHG. All safety devices must be properly installed and maintained in good working order.

EC Declaration of Conformity:

We affirm that this machine is in accordance with the following EC regulations (2006/42/EC). Applied harmonized standards are ISO 12100:2010.

The name, job function and address of the person authorized to compile the technical file.

Mr. Vishnu Irigireddy
Director of Global R&D- Mechanical Engineering
Apex Tool Group
670 Industrial Drive
Lexington, SC 29072

Signature: Vishnu Irigireddy
Date: 02/20/2014

Noise and Vibration:

Noise Level: ≤ 75 dB(A)

Vibration: < 2.5 m/s²

Air Line Lubrication:



Do Not Lubricate This Tool!

Air Supply Line:

Parameter	Description
Air Hose	Minimum inside diameter: 1/8" (3.2mm) Maximum length: 7.0' (2.1 m)
Working pressure range	Performance rated at: 90 psi (620 kPa)
Compressed air	Air quality according to ISO 8573-1, quality class 2.4.3 The compressed air must be clean and dry.

Service and Repair:

Tool service and repair should be performed by an authorized Apex Tool Group, LLC or Apex Tool Group GmbH & Co. OHG Center. Refer to the last page of this manual for locations.

Disposal:

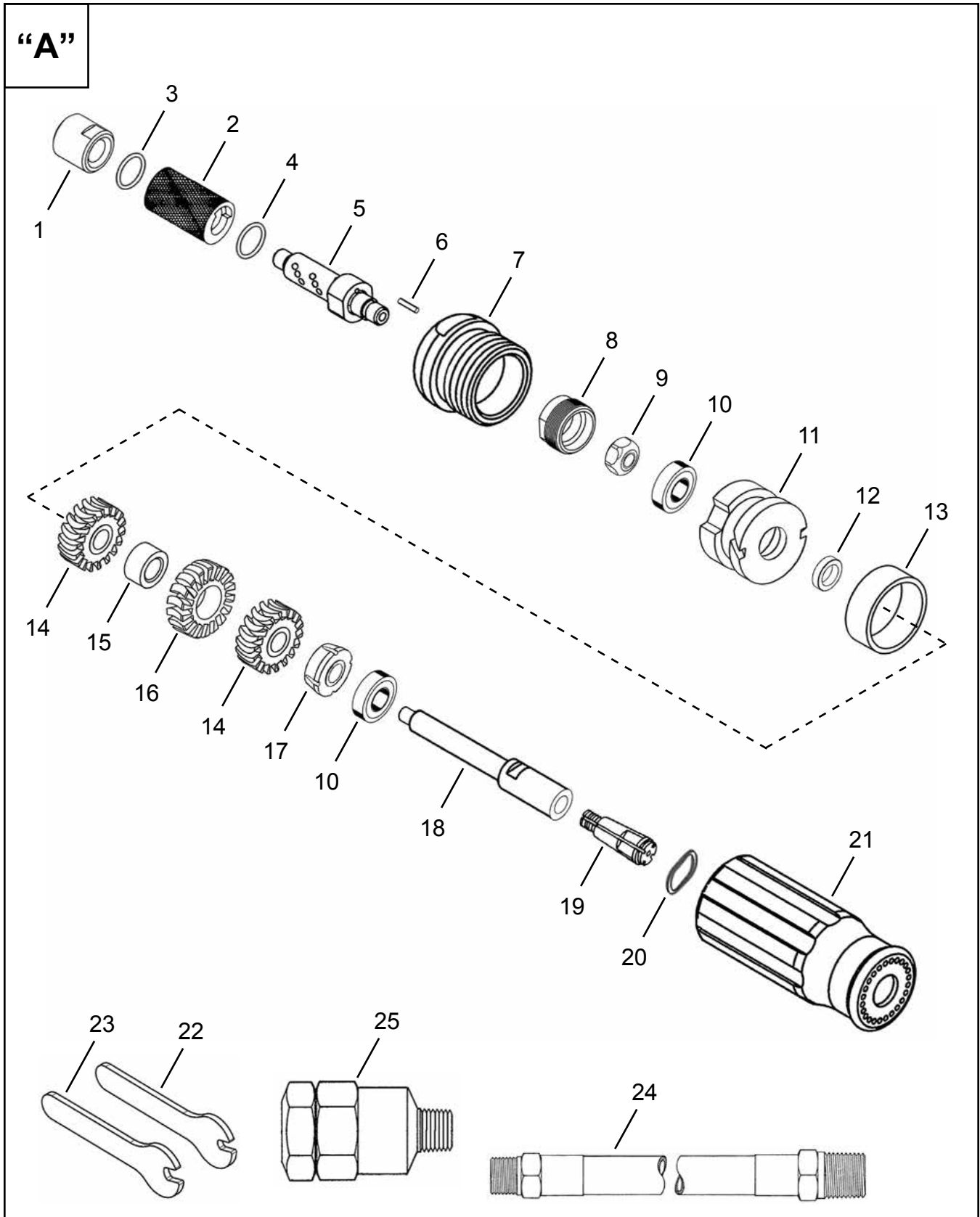


Observe local disposal guidelines for all components of this tool and its packaging.

Copyright Protection:

Apex Tool Group, LLC or Apex Tool Group GmbH & Co. OHG reserves the right to modify, supplement or improve this document or the product without prior notice. This document may not be reproduced in any way, shape or form, in full or parts thereof, or copied to another natural or machine readable language or to a data carrier, whether electronic, mechanical, optical or otherwise without the express permission of Apex Tool Group, LLC or Apex Tool Group GmbH & Co. OHG

Dotco®
10R9000 Series Turbine Grinder



10R9000 Series Turbine Grinder

Illustration "A" - 10R9000 Series Grinders

Ref	Number	#	X	EN
				Description
1	1807PT	1		Air Inlet Adapter
2	935PT	1		Valve Housing (includes Ref. 3-4)
3	1057PT	1	3	O-Ring
4	6051PT	1	3	O-Ring
5	1470	1	1	Valve Stem (includes Ref. 6)
6	954PT	1	2	Pin
7	1834PT	1		Throttle Housing
8	1126	1		Lock Ring
9	1741	1	2	Hex Nut
10	502PT	2	4	Ball Bearing
11	02-1119	1		Bearing Plate
12	1076PT	1		Spacer
13	1072PT	1		Spacer
14	1149PT	2		Impeller
15	1077	1		Spacer
16	1127PT	1		Stator
17	1128PT	1		Spacer
18	02-2212S	1		Spindle
19	Table "A"	1	2	Collet
20	1140PT	1	2	Spring Washer
21	1134PT	1		Motor Housing
22	14-0803	1		Wrench (3/16")
23	14-0804	1		Wrench (1/4")
24	45.1307	1		Air Inlet Hose
25	45-0211	1		Inline Air Filter

(#) Quantity

(X) Recommended Spare Parts (quantity shown based on 1-5 tools in operation)

Table "A" - Optional Collets

Part Number	Arbor Size	Part Number	Arbor Size
100PT *	1/8"	131	2.35mm
102	3/32"	146	1.00mm
103PT	1/16"	148 **	3.00mm
-----	-----	149	4.00mm

* Note: -08 Termination - Standard

** Note: -03 Termination - Standard

Sales & Service Centers

Note: All locations may not service all products. Please contact the nearest Sales & Service Center for the appropriate facility to handle your service requirements.

Detroit, Michigan

**Apex Tool Group
Sales & Service Center**
2630 Superior Court
Auburn Hills, MI 48326
Tel: (248) 393-5640
Fax: (248) 391-6295

Houston, Texas

**Apex Tool Group
Sales & Service Center**
6550 West Sam Houston
Parkway North, Suite 200
Houston, TX 77041
Tel: (713) 849-2364
Fax: (713) 849-2047

Lexington, South Carolina

Apex Tool Group
670 Industrial Drive
Lexington, SC 29072
Tel: (800) 845-5629
Tel: (803) 951-7544
Fax: (803) 358-7681

Los Angeles, California

**Apex Tool Group
Sales & Service Center**
6881 Stanton Avenue
Unit B
Buena Park, CA 90621
Tel: (714) 994-1491
Fax: (714) 994-9576

Seattle, Washington

**Apex Tool Group
Sales & Service Center**
2865 152nd Avenue N.E.
Redmond, WA 98052
Tel: (425) 497-0476
Fax: (425) 497-0496

York, Pennsylvania

**Apex Tool Group
Sales & Service Center**
3990 East Market Street
York, PA 17402
Tel: (717) 755-2933
Fax: (717) 757-5063

Brazil

**Apex Tool Group
Ind. Com. Ferram. Ltda**
Av. Liberdade, 4055
Zona Industrial Iporanga
Sorocaba, São Paulo
CEP# 18087-170
Brazil
Tel: +55 15 2383929
Fax: +55 15 2383260

Canada

**Apex Tool Group
Sales & Service Center**
7631 Bath Road
Mississauga, Ont. L4T
3T1
Canada
Tel: (866) 691-6212
Tel: (905) 673-4400

China

**Apex Power Tool Trading
(Shanghai) Co., Ltd**
Building A8, No. 38
Dongsheng Road
Pudong, Shanghai
China 201201
Tel: +86-21-60880320
Fax: +86-21-60880298
www.aptpowertools.com.cn

England

**Apex Tool Group
GmbH & Co. OHG**
C/O Spline Gauges
Piccadilly, Tamworth
Staffordshire B78 2ER
United Kingdom
Tel: +44 1827 8741 28
Fax: +44 1827 8741 28

France

Apex Tool Group S.N.C.
25 rue Maurice Chevalier
B.P. 28
77831 Ozoir-La-Ferrière
Cedex, France
Tel: +33 1 64 43 22 00
Fax: +33 1 64 43 17 17

Germany

**Apex Tool Group
GmbH & Co. OHG**
Industriestraße 1
73463 Westhausen
Germany
Tel: +49 (0) 73 63 81 0
Fax: +49 (0) 73 63 81 222
www.apexpowertools.eu

Hungary

**Apex Tool Group
Hungaria Kft**
Platánfa u.2
9027 Győr
Hungary
Tel: +36 96 66 1383
Fax: +36 96 66 1135

India

**Apex Power Tools India
Private Limited**
Gala No. 1, Plot No. 5
S. No. 234, 235 & 245
Indialand Global
Industrial Park
Taluka-Mulsi, Phase I
Hinjawadi, Pune 411057
Maharashtra, India

Mexico

**Apex Tool Group
Manufacturing México
S. de RL de CV**
Vialidad El Pueblito #103
Parque Industrial Querétaro
Querétaro, QRO
CP# 76220
Mexico
Tel: +52 (442) 211-3800
Fax: +52 (800) 685-5560

Available Now At PneumaticToolsOnline.com

For Quotes or Questions Call Our Sales Engineers At 1-800-353-4676

ZAMPINI INDUSTRIAL

Apex Tool Group, LLC
1000 Lufkin Road
Apex, NC 27539
Phone: 919-387-0099
Fax: 919-387-2614
www.apextoolgroup.com

DOTCO®