

**Parts Manual**

**45-8165**

PL30-1225

04/21/2011

**DOTCO®**

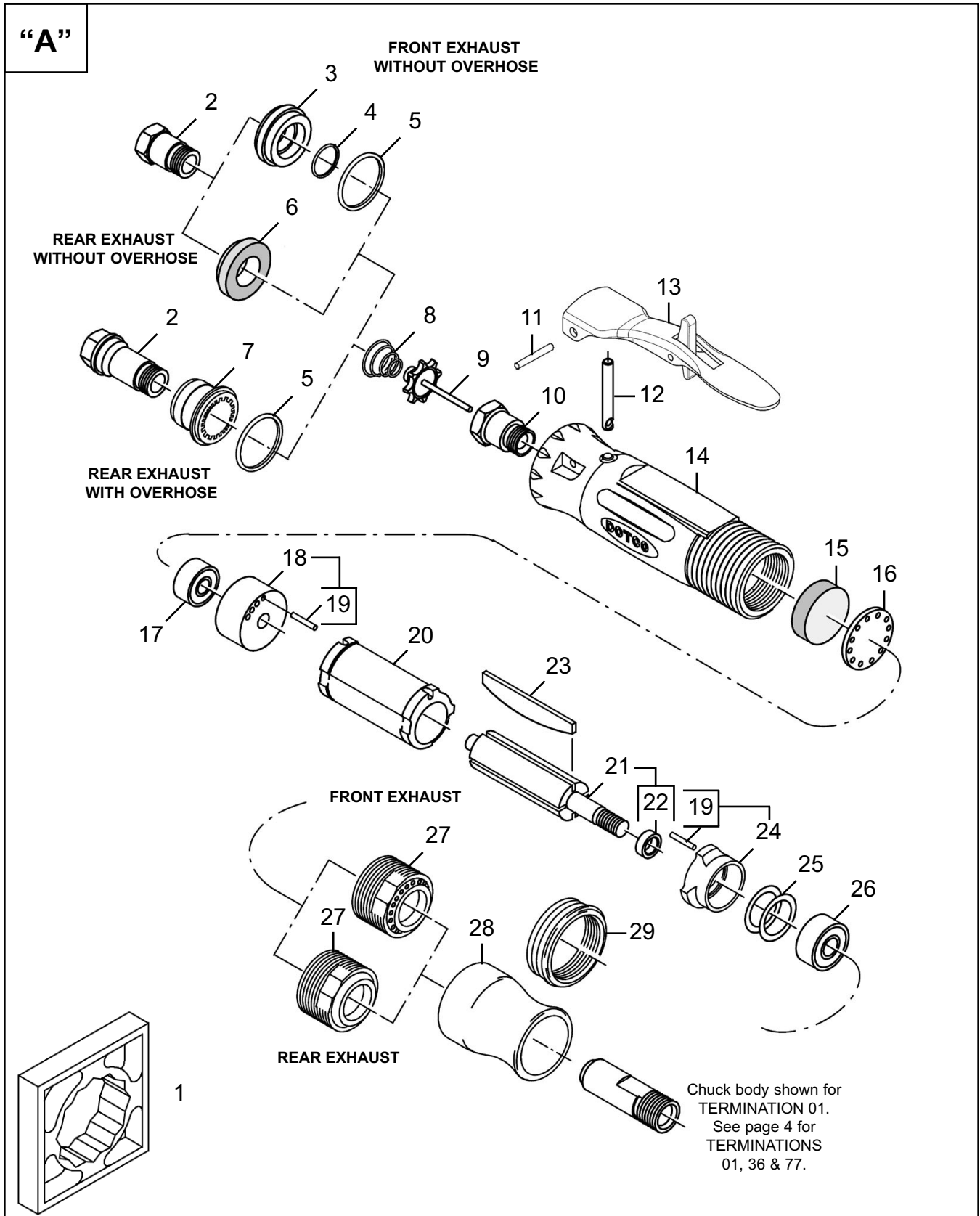
**12-25 Series**

**Inline Grinders**



	12	X	2	5	XX	-	XX	XX	OH
Product Classification	12 = Ergo Grinder/Sander								
Trottle Type	L = Locking Lever S = Locking Lever								
Motor Size	2 = 0.9 hp								
Handle Style	5 = Straight								
Speed Options (RPM)	<b>Front Exhaust</b> 00 = 23,000 02 = 18,000		<b>Rear Exhaust</b> 80 = 25,000 82 = 18,000						
Termination Code	01 = 200 Series Collet 36 = 300 Series Collet (3-piece) 77 = Cone & Plug Wheel (2580 series)								
Optional Collet (no extra cost)	08 = 1/8"	18 = 9/32"	M6 = 6mm						
	10 = 5/32"	20 = 5/16"	M8 = 8mm						
	12 = 3/16"	22 = 11/32"							
	14 = 7/32"	24 = 3/8"							
Overhose Option (extra cost)	OH = Overhose (rear exhaust models only)								

# DOTCO 12-25 Series ERGO Grinders



# DOTCO

## 12-25 Series ERGO Grinders

**PL30-1225**  
August 23, 2007

### Illustration "A" - 12-25 Series

Ref.	Number	#	●	Kit	EN	DE	FR	ES	IT
					Description	Benennung	Designation	Description	Descrizione
1	14-0851	1			Housing Wrench	Schraubenschlüssel	Clé plate	La llave	La chiave
2	Table A	1		K1	Inlet Adapter	Zwischenstück	Adaptateur	Adaptador	Adattatore
3	01-2506	1		K1	Exhaust Plug	Buchse	Bouchon	Tapón	Spina
4	2965	1		K1	O-Ring	O-Ring	Joint torique	Anillo "O"	Anello ad O
5	3036	1		K1	O-Ring	O-Ring	Joint torique	Anillo "O"	Anello ad O
6	01-2520	1		K1	Diffuser	Diffuser	Diffuseur	Diffuseur	Diffusore
7	01-1032	1		K1	Muffler	Schalldämpfer	Silencieux	Silenciador	Silenziatore
8	01-2519	1		K2	Valve Spring	Druckfeder	Ressort	Resorte	Molla
9	01-2518	1		K2	Valve	Ventil	Soupape	Válvula	Valvola
10	01-2504	1		K2	Valve Seat	Ventilsitz	Siège de soupape	Asiento de la válvula	Sede valvola
11	1042	1		K2	Lever Pin	Stift	Goupille cylindrique	Pasador	Spina
12	01-2517	1		K2	Push Rod	Stange	Tige	Varilla	Asta
13	01-1267	1		K2	Lock-Off Lever Asm	Hebel	Levier	Palanca	Leva
14	01-2604	1			Motor Housing	Gehäuse	Corps	Caja	Corpo
15	4293	1		K1	Filter Disc	Platte	Plaque	Placa	Piattello
16	01-2016	1		K1	Filter Retainer	Haltevorrichtung	Bague d'arrêt	Retén	Fermo
17	538	1		K3	Ball Bearing	Kugellager	Roulement à billes	Cojinete de bolas	Cuscinetto a sfera
18	7003	1			Rear Plate	Hintere Platte	Plaque arrière	Placa posterior	Piattello posteriore
19	1041	2		K3	Pin	Stift	Goupille cylindrique	Pasador	Spina
20	2255	1			Cylinder	Zylinder	Cylindre	Cilindro	Cilindro
21	7654	1			Rotor	Rotor	Rotor	El rotor	Il rotore
22	2017	1		K3	Spacer	Distanzstück	Entretoise	Espaciador	Distanziale
23	Table A	4		K3	Rotor Blade	Rotorblatt	Palette	Alabe del rotor	Paletta del rotore
24	2256	1			Front Plate	Vorderplatte	Plaque de devanture	Placa frontal	Piattello anteriore
25	2488	1		K3	Shim Packet	Unterlegstück	Cale pelable	Calzo	Spessore
26	500	1		K3	Ball Bearing	Kugellager	Roulement à billes	Cojinete de bolas	Cuscinetto a sfera
27	Table A	1			Lock Ring	Verschlussring	Bague de verrouillage	Anillo de cierre	Anello di bloccaggio
28	01-2059	1			Collet Guard	Schutzvorrichtung	Protection	Guarda	Protezione
29	01-2060	1			Collet Guard (Short)	Schutzvorrichtung	Protection	Guarda	Protezione
<b>Termination 01:</b>									
30	2054	1			Chuck Body	Futter Körper	Corps de trou	Bote el Cuerpo	Il Corpo di ciottolo
31	208	1			Collet (1/4")	Futter	Douille de serrage	Boquilla	Bussola di chiusura
32	2058	1			Cap	Kappe	Chapeau	Tapa	Cappello
--	14-0809	1			Wrench (9/16")	Schraubenschlüssel	Clé plate	La llave	La chiave
--	14-0812	1			Wrench (3/4")	Schraubenschlüssel	Clé plate	La llave	La chiave
<b>Termination 36:</b>									
33	1400	1			Chuck Body	Futter Körper	Corps de trou	Bote el Cuerpo	Il Corpo di ciottolo
34	308	1			Collet (1/4")	Futter	Douille de serrage	Boquilla	Bussola di chiusura
35	1058	1		K4	Cap	Kappe	Chapeau	Tapa	Cappello
36	1053	1		K4	Nosepiece	Kopfstück	Tuyère	Tobera	Naso
--	14-0807	1			Wrench (7/16")	Schraubenschlüssel	Clé plate	La llave	La chiave
--	14-0811	1			Wrench (11/16")	Schraubenschlüssel	Clé plate	La llave	La chiave
<b>Termination 77:</b>									
37	7525	1			Cone Wheel Arbor	Dorn	axe	cenador	supporto conico
--	14-0808	1			Wrench (1/2")	Schraubenschlüssel	Clé plate	La llave	La chiave
<b>Repair Kits:</b>									
K1	Table A	1			Air Inlet Kit	Satz	Ensemble	Juego	Corredo
K2	04-0138	1			Throttle Kit	Satz	Ensemble	Juego	Corredo
K3	Table A	1			Motor Kit	Satz	Ensemble	Juego	Corredo
K4	04-0164	1			Output Kit	Satz	Ensemble	Juego	Corredo

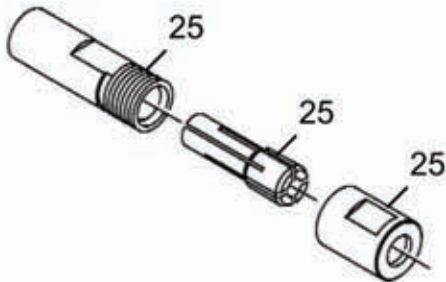
(#) Quantity / Stückzahl / Quantité / Cantidad / Quantità

## DOTCO 12-25 Series ERGO Grinders

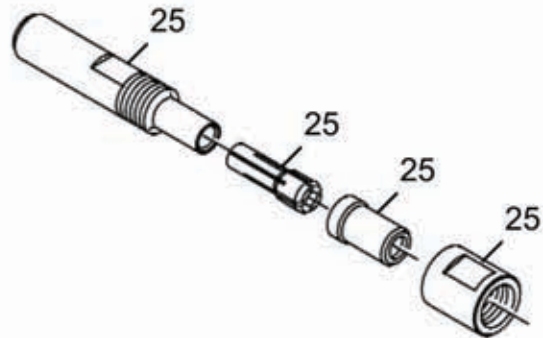
Table "A"

Ref.	Description	Qty.	12-2500	Qty.	12-2502	Qty.	12-2580	Qty.	12-2582
2	Inlet Adapter (w/o OH)	1	01-2505	1	01-2505	1	01-2505	1	01-2505
	Inlet Adapter (w/ OH)		---		---	1	01-1031	1	01-1031
23	Rotor Blade	4	2253	4	2906	4	2253	4	2906
27	Lock Ring	1	2014	1	2014	1	2445	1	2445
K1	Air Inlet Kit (w/o OH)	1	04-0135	1	04-0135	1	04-0134	1	04-0134
	Air Inlet Kit (w/ OH)		---		---	1	04-0136	1	04-0136
K3	Motor Kit	1	04-0098	1	04-0099	1	04-0098	1	04-0099

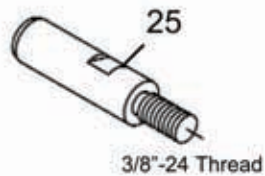
**TERMINATION 01**  
200 Series Collet Spindle



**TERMINATION 36**  
300 Series Collet Spindle



**TERMINATION 77**  
Cone & Plug Wheel  
Types 16-19



**Available Now At [PneumaticToolsOnline.com](http://PneumaticToolsOnline.com)**

For Quotes or Questions Call Our Sales Engineers At 1-800-353-4676

ZAMPINI INDUSTRIAL