

**Product Manual**  
**45-8452**  
 03/26/2014

**DOTCO®**

**10LF and 12LF Series**  
**Right Angle Grinders**

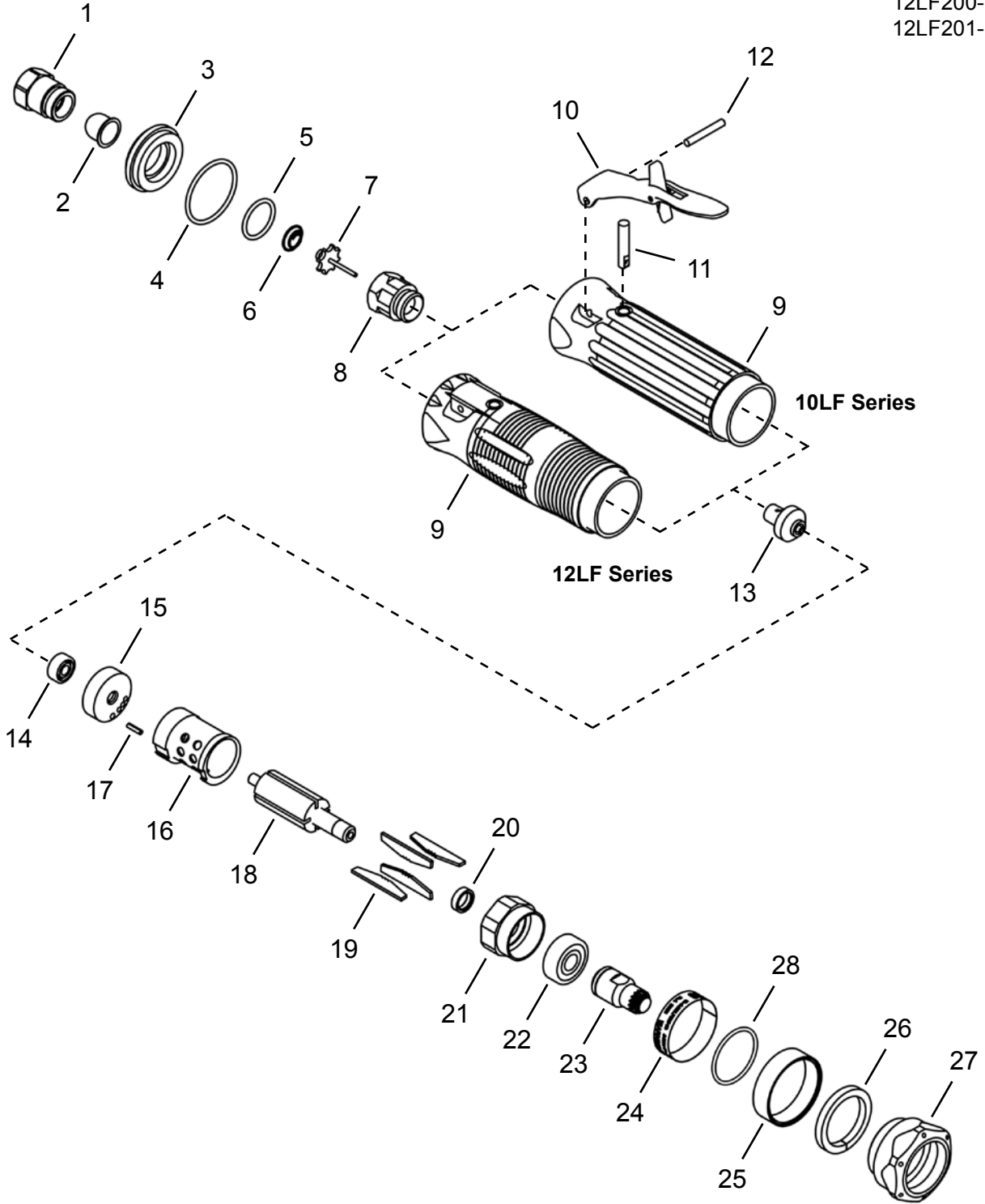


	<b>XX</b>	<b>L</b>	<b>F</b>	<b>2</b>	<b>XX</b>	<b>-</b>	<b>XX</b>
<b>Tool Series</b>							
<b>10</b> = Aluminum Housing							
<b>12</b> = Ergo Housing							
<b>Throttle Type</b>							
<b>L</b> = Locking Lever							
<b>Motor Size</b>							
<b>F</b> = 0.4 hp							
<b>Handle Style</b>							
<b>2</b> = Right Angle							
<b>Speed Options (RPM)</b>							
<b>Front Exhaust</b>							
<b>00</b> = 12,000							
<b>01</b> = 20,000							
<b>Rear Exhaust</b>							
<b>80</b> = 12,000							
<b>81</b> = 20,000							
<b>Termination Code</b>							
<b>32</b> = 1/4-28 Threaded Spindle							
<b>36</b> = 300 Series 1/4" Capacity Collet (3 piece)							

For additional product information visit our website at <http://www.apextoolgroup.com>

**Models**  
10LF200-  
10LF201-  
12LF200-  
12LF201-

**“A”**



**Illustration "A": Front Exhaust**

Ref	Number	#	X	EN	
				Description	
1	01-2505	1	2	Inlet Adapter	
2	203480PT	1	3	Filter	
3	01-2506	1		Exhaust Plug	
4	3036PT	1	3	O-Ring	
5	2965	1	3	O-Ring	
6	01-2519	1	3	Spring	
7	01-2518	1		Poppet Valve	
8	01-2504	1		Valve Seat	
9	Table "A"	1		Housing	
10	01-1267	1	2	Lockoff Lever Assembly	
11	01-1017	1	2	Shaft	
12	1042	1	2	Pin	
13	03-1100	1		Governor Valve	
14	1009879	1	2	Ball Bearing	
15	1110072	1		Rear End Plate	
16	1017579	1		Cylinder (includes Ref. 17)	
17	1017422	1	3	Cylinder Pin	
18	03-1005	1		Rotor	
19	1008914	4	12	Rotor Blade	
20	1017PT	1		Spacer	
21	03-1064	1		Front End Plate	
22	03-1111	1	2	Ball Bearing	
23	Table "A"	1	1	Gear Set	
24	03-1086	1		Label	
25	03-1087	1		Label Cover	
26	03-1113	1	3	Muffler Element	
27	03-1043	1		Lock Ring	
28	93040050	1	3	O-Ring	

(#) Quantity

(X) Recommended Spare Parts (quantity shown based on 1-5 tools in operation)

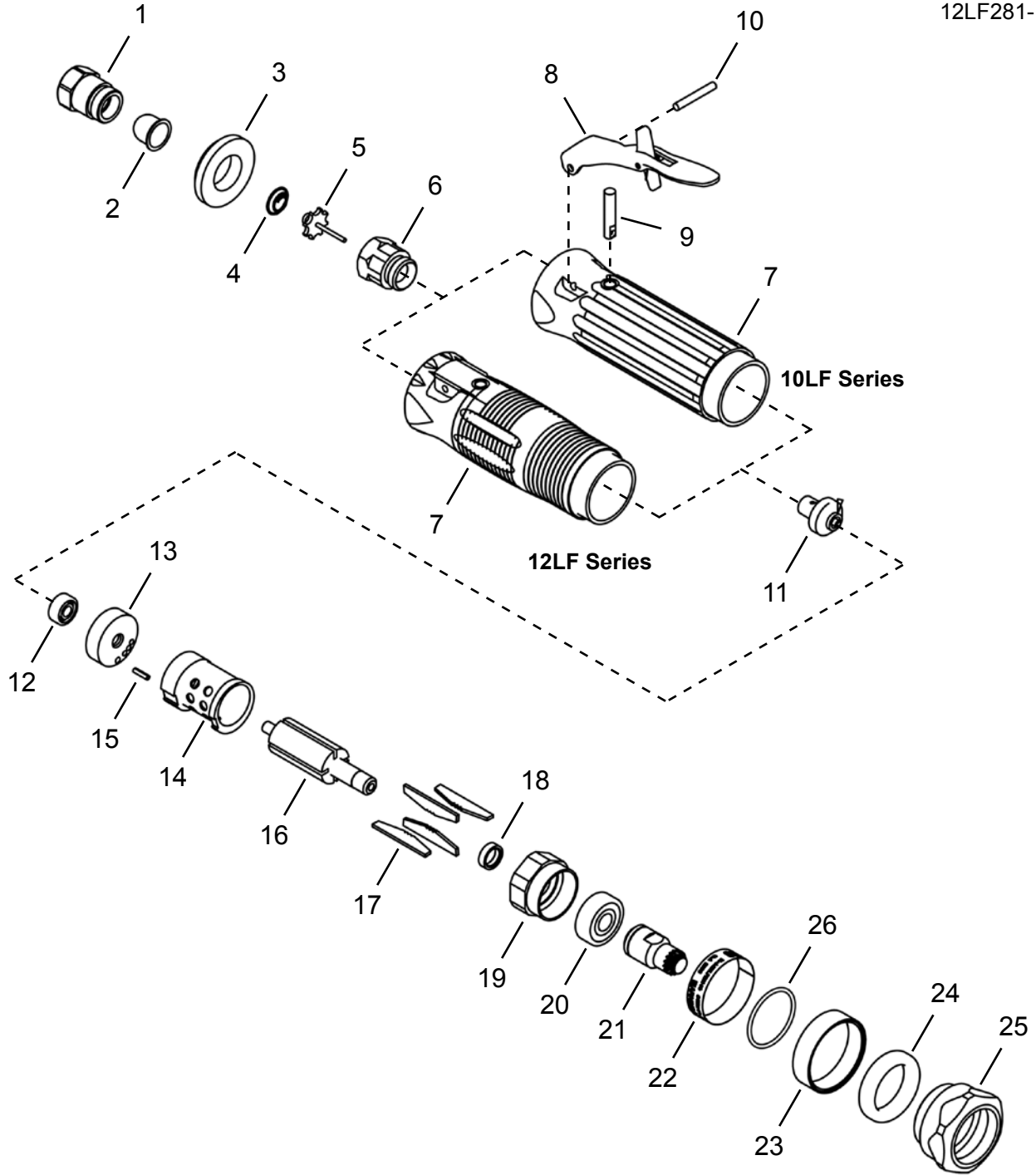
**Table "A"**

Ref.	Description	#	10LF200-	#	12LF200-	#	10LF201-	#	12LF201-
9	Housing	1	03-1107	1	03-1112	1	03-1107	1	03-1112
23	Gear Set	1	03-1115	1	03-1115	1	03-1116	1	03-1116

**Dotco®**  
Rear Exhaust

**Models**  
10LF280-  
10LF281-  
12LF280-  
12LF281-

**“B”**



**Illustration "B": Rear Exhaust**

Ref	Number	#	X	EN
				Description
1	01-2505	1	2	Inlet Adapter
2	203480PT	1	3	Filter
3	01-2520	1		Diffuser
4	01-2519	1	3	Spring
5	01-2518	1		Poppet Valve
6	01-2504	1		Valve Seat
7	Table "B"	1		Housing
8	01-1267	1	2	Lockoff Lever Assembly
9	01-1017	1	2	Shaft
10	1042	1	2	Pin
11	03-1100	1		Governor Valve
12	1009879	1	2	Ball Bearing
13	1110072	1		Rear End Plate
14	1017579	1		Cylinder (includes Ref. 15)
15	1017422	1	3	Cylinder Pin
16	03-1005	1		Rotor
17	1008914	4	12	Rotor Blade
18	1017PT	1		Spacer
19	03-1064	1		Front End Plate
20	03-1111	1	2	Ball Bearing
21	Table "B"	1	1	Gear Set
22	03-1086	1		Label
23	03-1087	1		Label Cover
24	01-1025	1	3	Seal
25	03-1044	1		Lock Ring
26	93040050	1	3	O-Ring

(#) Quantity

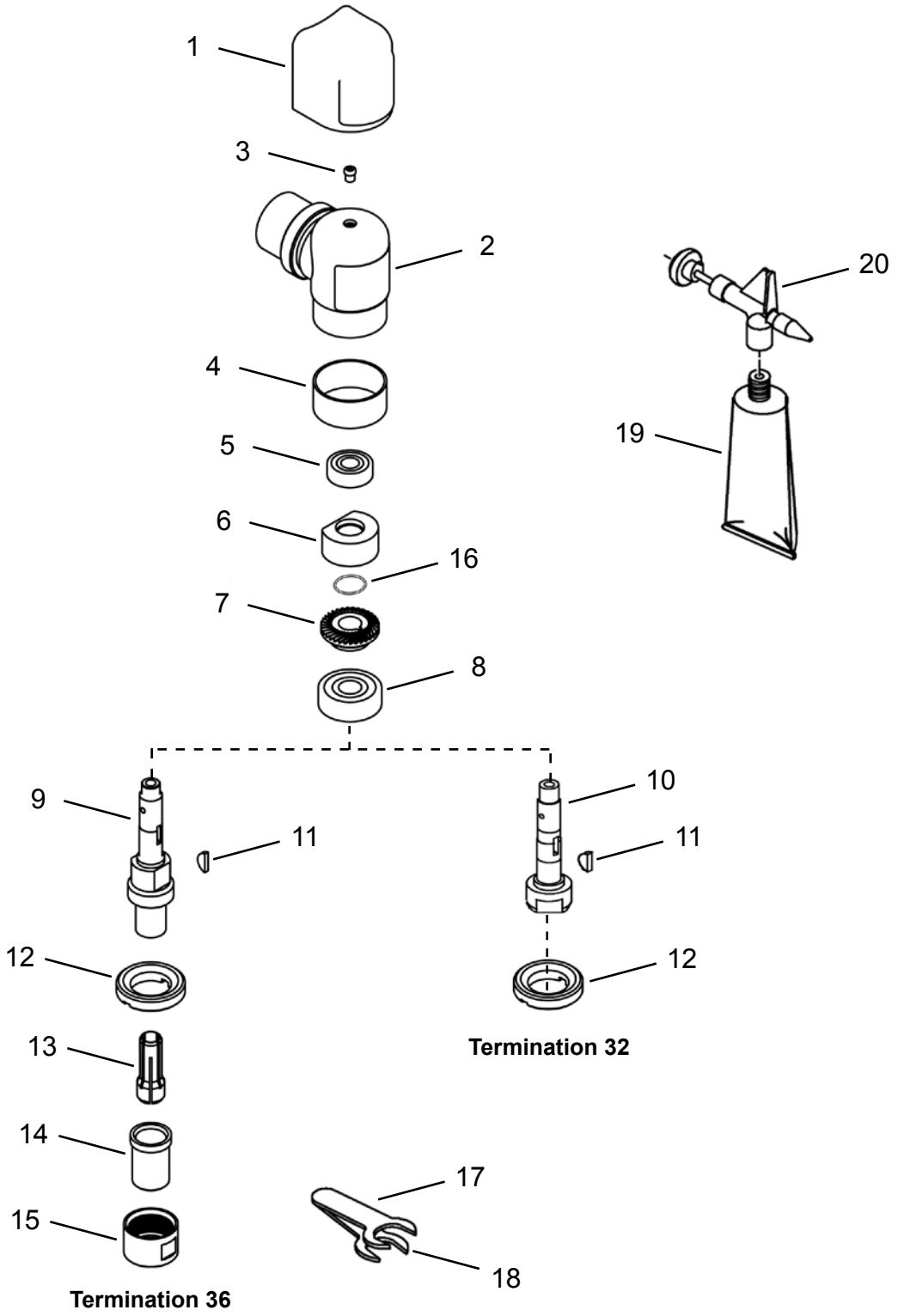
(X) Recommended Spare Parts (quantity shown based on 1-5 tools in operation)

**Table "B"**

Ref.	Description	#	10LF280-	#	12LF280-	#	10LF281-	#	12LF281-
7	Housing	1	03-1107	1	03-1112	1	03-1107	1	03-1112
21	Gear Set	1	03-1115	1	03-1115	1	03-1116	1	03-1116

# Dotco® Angle Attachment

“C”



**Illustration "C": Angle Attachment**

Ref	Number	#	X	EN
				Description
1	01-1048	1	2	Angle Head Cover
2	1024PT	1		Angle Head Housing (includes Ref. 3-4)
3	1463PT	1	2	Grease Fitting
4	1356PT	1		Wear Ring
5	504PT	1	3	Ball Bearing
6	1755PT	1	3	Lubricator Disc
7	Table "C"	1	1	Gear Set
8	03-1111	1	2	Ball Bearing
9	1029PT	1		Spindle (Termination -36)
10	1069	1		Spindle (Termination -32)
11	1062PT	1	3	Key
12	1025PT	1		Lock Ring
13	308PT	1	3	300 Series Collet
14	1053PT	1	3	Nosepiece
15	1058PT	1	3	Cap
16	2053PT	1	3	O-Ring
17	14-0807	1		7/16" Wrench
18	14-0811	1		11/16" Wrench (Termination -36)
19	45-0980	1	2	Gear Lube (2 oz.)
20	45-1982	1		Grease Gun

(#) Quantity

(X) Recommended Spare Parts (quantity shown based on 1-5 tools in operation)

**Table "C"**

Ref.	Description	#	10LF200- 12LF200- 10LF280- 12LF280-	#	10LF201- 12LF201- 10LF281- 12LF281-
7	Gear Set	1	03-1115	1	03-1116

## Sales & Service Centers

**Note:** All locations may not service all products. Please contact the nearest Sales & Service Center for the appropriate facility to handle your service requirements.

Detroit, Michigan

**Apex Tool Group  
Sales & Service Center**  
2630 Superior Court  
Auburn Hills, MI 48326  
Tel: (248) 393-5640  
Fax: (248) 391-6295

Houston, Texas

**Apex Tool Group  
Sales & Service Center**  
6550 West Sam Houston  
Parkway North, Suite 200  
Houston, TX 77041  
Tel: (713) 849-2364  
Fax: (713) 849-2047

Lexington, South Carolina

**Apex Tool Group**  
670 Industrial Drive  
Lexington, SC 29072  
Tel: (800) 845-5629  
Tel: (803) 951-7544  
Fax: (803) 358-7681

Los Angeles, California

**Apex Tool Group  
Sales & Service Center**  
6881 Stanton Avenue  
Unit B  
Buena Park, CA 90621  
Tel: (714) 994-1491  
Fax: (714) 994-9576

Seattle, Washington

**Apex Tool Group  
Sales & Service Center**  
2865 152nd Avenue N.E.  
Redmond, WA 98052  
Tel: (425) 497-0476  
Fax: (425) 497-0496

York, Pennsylvania

**Apex Tool Group  
Sales & Service Center**  
3990 East Market Street  
York, PA 17402  
Tel: (717) 755-2933  
Fax: (717) 757-5063

Brazil

**Apex Tool Group  
Sales & Service Center**  
Av. Liberdade, 4055  
Zona Industrial - Iporanga  
18087-170 Sorocaba  
SP Brazil  
Tel: +55 15 2383929  
Fax: +55 15 2383260

Canada

**Apex Tool Group  
Sales & Service Center**  
7631 Bath Road  
Mississauga, Ont. L4T  
3T1  
Canada  
Tel: (866) 691-6212  
Tel: (905) 673-4400

China

**Apex Power Tool Trading  
(Shanghai) Co., Ltd**  
Building A8, No. 38  
Dongsheng Road  
Pudong, Shanghai  
China 201201  
Tel: +86-21-60880320  
Fax: +86-21-60880313

England

**Apex Tool Group  
GmbH & Co. OHG**  
C/O Spline Gauges  
Piccadilly, Tamworth  
Staffordshire B78 2ER  
United Kingdom  
Tel: +44 1827 8741 28  
Fax: +44 1827 8741 28

France

**Apex Tool Group S.N.C.**  
25 rue Maurice Chevalier  
B.P. 28  
77831 Ozoir-La-Ferrière  
Cedex, France  
Tel: +33 1 64 43 22 00  
Fax: +33 1 64 43 17 17

Germany

**Apex Tool Group  
GmbH & Co. OHG**  
Industriestraße 1  
73463 Westhausen  
Germany  
Tel: +49 (0) 73 63 81 0  
Fax: +49 (0) 73 63 81 222

Hungary

**Apex Tool Group  
Hungaria Kft**  
Platánfa u.2  
9027 Győr  
Hungary  
Tel: +36 96 66 1383  
Fax: +36 96 66 1135

India

**Apex Power Tools India  
Private Limited**  
Gala No. 1, Plot No. 5  
S. No. 234, 235 & 245  
Indialand Global  
Industrial Park  
Taluka-Mulsi, Phase I  
Hinjawadi, Pune 411057  
Maharashtra, India  
Tel: +91 20 66761111

Mexico

**Apex Tool Group México  
S. de R.L. de C.V.**  
Vialidad El Pueblito #103  
Parque Industrial Querétaro  
Querétaro, QRO 76220  
Mexico  
Tel: +52 (442) 211-3800  
Fax: +52 (442) 103-0443

**Available Now At [PneumaticToolsOnline.com](http://PneumaticToolsOnline.com)**

For Quotes or Questions Call Our Sales Engineers At 1-800-353-4676

ZAMPINI INDUSTRIAL

Apex Tool Group, LLC  
1000 Lufkin Road  
Apex, NC 27539  
Phone: 919-387-0099  
Fax: 919-387-2614  
[www.apextoolgroup.com](http://www.apextoolgroup.com)

**DOTCO®**